

JCMTV820-LED

208 Cm

82inch Full HD Monitor



- ★ 208 Cm (82.0) TFT-LED Monitor
- ★ RGB, DVI-I, S-Video, Composite Video
- ★ Resolution : 1920 X 1080 (FULL HD)

www.bytechsnd.com

Bytech Electronics Co., Ltd in Korea
www.bytechsnd.com sales@bytechsnd.com

MSN: bytechsnd@yahoo.com

Mobile : 010-2607-3915

Specifications

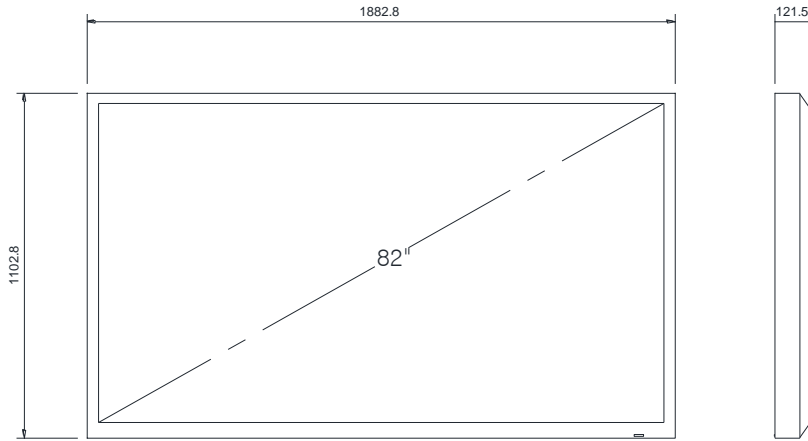
82inch Full HD Monitor

Size		208 Cm (82.0)
Panal	Display Type	TFT LED
	Max. Resolution	1920 x 1080 (WUXGA)
	Display Colors	16.7 M Colors
	Pixel Pitch	0.945 x 0.945 mm
	Brightness	350cd/m2
	Contrast Ratio	2000 : 1 (Typical)
	Viewing Angle	89°/89°(L/R) & 89°/89°(U/D)
	Display Area	1805.76 x 1015.74 mm
Terminals	CVBS Input	RCA-JACK x 1
	Component Input	YPbPr x 1
	DVI Input	DVI-I 24-pin x 1
	RGB Input	D-Sub 15-pin x 1
	HDMI Input	Yes
	Antenna Input (NTSC)	Yes
	Remote Control	Yes
	Key Function	Supports up to 7 key
TouchScreen (Option)	Glass	5 mm Anti Glare Coating tempered glass
	Touch method	finger, gloved hand or any other pointer. Stylus minimum diameter 6 mm
	Touch accuracy	± 2 mm over 90% of the touch sensitive area USB reported touch resolution 32767 x 32767
	Touch response time	Typical Rresponse time 14 ms
	Calibration	four-point driverless calibration (requires no software)
	Interface	USB 1.1 (full speed), HID compliant, plug-and-play compatible
	Operating systems	Windows 2000, Xp, Vista, Windows7
General	Power Supply	AC 100V ~ 240V, 50/60Hz
	Power Consumption	700Watts(Typ.)
	ST-BY Power Consumption	Max 0.5Watts Under
	Environment	Operating temperature: 0°c to 45°c Storage temperature: -25°c to 85°c Operating humidity: 10% to 90% RH, non-condensing
	Dimension	1633.4 x 973.4 x 129mm
	Weight	75Kg
	Standard Accessories	D-Sub 15-pin VGA Cable, Power cord, Touch Cable, Remote control

Drawing

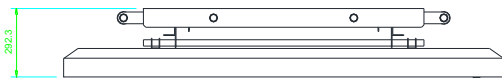


TOP VIEW

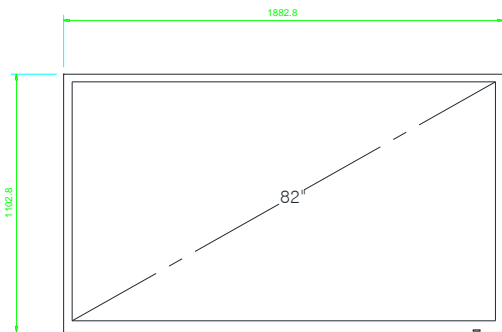
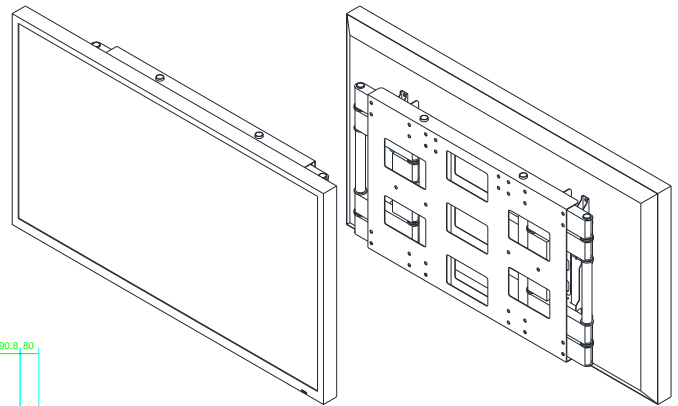


FRONT VIEW

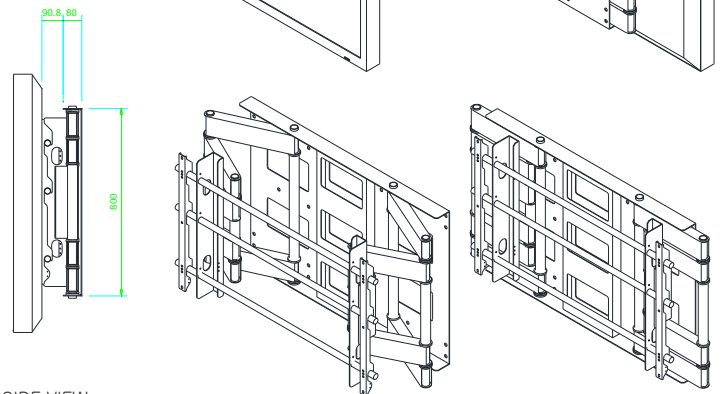
SIDE VIEW



TOP VIEW



FRONT VIEW



SIDE VIEW